

- cal specificity. *Trans R Soc Trop Med Hyg.* 1952;46:509–20. [http://dx.doi.org/10.1016/0035-9203\(52\)90042-4](http://dx.doi.org/10.1016/0035-9203(52)90042-4)
2. Simpson DI. Zika virus infection in man. *Trans R Soc Trop Med Hyg.* 1964;58:335–8. [http://dx.doi.org/10.1016/0035-9203\(64\)90201-9](http://dx.doi.org/10.1016/0035-9203(64)90201-9)
 3. Duffy MR, Chen TH, Hancock WT, Powers AM, Kool JL, Lanciotti RS, et al. Zika virus outbreak on Yap Island, Federated States of Micronesia. *N Engl J Med.* 2009;360:2536–43. <http://dx.doi.org/10.1056/NEJMoa0805715>
 4. Foy BD, Kobylinski KC, Chilson Foy JL, Blitvich BJ, Travassos da Rosa A, Hadlow AD, et al. Probable non-vector-borne transmission of Zika virus, Colorado, USA. *Emerg Infect Dis.* 2011;17:880–2.
 5. Olson JG, Ksiazek TG, Suhandiman, Triwibowo. Zika virus, a cause of fever in Central Java, Indonesia. *Trans R Soc Trop Med Hyg.* 1981;75:389–93. [http://dx.doi.org/10.1016/0035-9203\(81\)90100-0](http://dx.doi.org/10.1016/0035-9203(81)90100-0)
 6. Moureau G, Temmam S, Gonzalez JP, Charrel RN, Grard G, de Lamballerie X. A real-time RT-PCR method for the universal detection and identification of flaviviruses. *Vector Borne Zoonotic Dis.* 2007;7:467–77. <http://dx.doi.org/10.1089/vbz.2007.0206>
 7. Santhosh SR, Parida MM, Dash PK, Pateriya A, Pattnaik B, Pradhan HK, et al. Development and evaluation of SYBR Green I-based one-step real-time RT-PCR assay for detection and quantitation of Japanese encephalitis virus. *J Virol Methods.* 2007;143:73–80. <http://dx.doi.org/10.1016/j.jviromet.2007.02.011>
 8. Reynes JM, Ong S, Mey C, Ngan C, Hoyer S, Sall AA. Improved molecular detection of dengue virus serotype 1 variants. *J Clin Microbiol.* 2003;41:3864–7. <http://dx.doi.org/10.1128/JCM.41.8.3864-3867.2003>
 9. Lanciotti RS, Calisher CH, Gubler DJ, Chang GJ, Vorndam AV. Rapid detection and typing of dengue viruses from clinical samples by using reverse transcriptase-polymerase chain reaction. *J Clin Microbiol.* 1992;30:545–51.
 10. Filipe AR, Martins CM, Rocha H. Laboratory infection with Zika virus after vaccination against yellow fever. *Arch Gesamte Virusforsch.* 1973;43:315–9. <http://dx.doi.org/10.1007/BF01556147>

Address for correspondence: Matthew R. Kasper, US Embassy Lima, NAMRU-6, Unit 3230, Box 46, DPO AA 34031, USA; email: matthew.kasper@med.navy.mil

The opinions expressed by authors contributing to this journal do not necessarily reflect the opinions of the Centers for Disease Control and Prevention or the institutions with which the authors are affiliated.

Recombination of Human Coxsackievirus B5 in Hand, Foot, and Mouth Disease Patients, China

To the Editor: Hand, foot, and mouth disease (HFMD) is an acute viral infectious disease in infants and young children. However, since 2008, HFMD has emerged as a major public health problem in the People's Republic of China, resulting in millions of infections with hundreds of deaths (1). Human enteroviruses (HEVs), including HEV71, echoviruses, and coxsackie viruses A and B (CAV and CBV), are the major pathogens of HFMD (2). In mainland China, HEV71 and CAV16 have been recognized as the dominant causative agents for HFMD.

During a recent HFMD outbreak in Changchun during 2010, three of 16 throat swab samples tested positive for HEV but negative for HEV71 and CAV16 by reverse transcription PCR. All 3 samples were then placed into human rhabdomyosarcoma cells, and typical cytopathic effects were observed 3–4 days later. All the isolates were finally characterized as CBV5 by using serologic and molecular technology and designated as CBV5/CC10/10, CBV5/CC10/16, and CBV5/CC10/17, respectively. The complete genome of these Changchun isolates was determined as described (3) and submitted to GenBank (accession nos. JN580070, JN695050, and JN695051, respectively). The genome RNA of CBV5/CC10/10 is 7,402 bp long, and the 5'- and 3'-untranslated regions are 743 and 101 bp, respectively. The coding regions of these Changchun isolates are highly homologous, with amino acid identity of 100% and only a 3-nt difference exists among them. The complete genome of 4 CBV5 strains

were indexed previously in GenBank, and the nucleotide sequence identities of the newly isolated CBV5/CC10/10 with the other 4 CBV5 strains were among 80.6%–88.1%. Results of homology and phylogenetic analyses based on the complete viral protein 1 sequence (849 bp) showed that the nucleotide identity of viral protein 1 among 17 different CBV5 strains was 78.9%–95.6% and the amino acid identity was 92.9%–98.9%. The neighbor-joining tree indicated that the new isolated CBV5 Changchun strains were most closely related to the strains isolated from mainland China and that they divided into a distinct lineage from other CBV5 strains outside China (Figure). CBV5 infections were reported in mainland China during 2002–2010 in Zhejiang, Shandong, and Henan Provinces (4). These Changchun isolates were highly homologous with the recent Henan isolate, COXB5/Henan/2010, with a nucleotide identity of 88.1%. These results indicated that CBV5 might have been circulating in China for many years and represented an independent evolution tendency.

Homology and BLAST analysis (<http://blast.ncbi.nlm.nih.gov/Blast.cgi>) based on the complete genome sequence showed that these newly CBV5 isolates have 85% identity with some human CBV3 strains. Because RNA recombination is a well-known phenomenon for HEVs during viral evolution and reemergence (5–8), recombination analysis between newly isolated CBV5 and other HEVs was performed by using SimPlot software. Similarity scanning analysis (online Technical Appendix Figure 1, wwwnc.cdc.gov/EID/pdfs/11-1524-Techapp.pdf) by using CBV5/CC10/10 as query sequence showed that the 5' half (nt 1–4481) of the genome had high similarity (>93%) to CBV5 strain COXB5/Henan/2010, and the 3' half (nt 4661–7402) showed high similarity (>97%) to CBV3 strain Beijing0811. Then, bootscanning

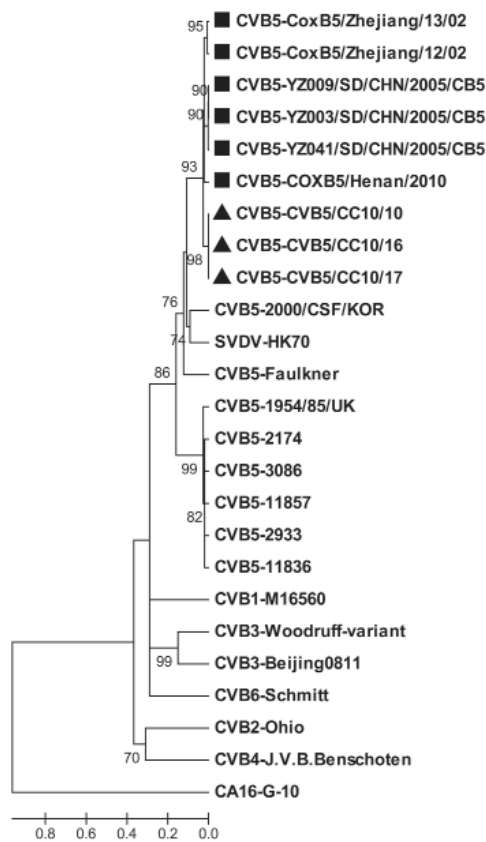


Figure. Phylogenetic analysis of selected human coxsackievirus B (CBV) strains from different origins based on the viral protein 1 gene sequences. The neighbor-joining tree was generated by using MEGA4 software (www.megasoftware.net), and the prototype strain of coxsackievirus A (CAV) 16 was used as outgroup. The Changchun strains isolated in this study are indicated by triangles and other Chinese CBV5 strains are indicated by squares. Scale bars indicates nucleotide substitutions per site.

phylogenetic analysis of individual genes. Our current study identified and characterized the newly CBV5 isolates from HFMD patient as intratypic and intertypic recombinants, and further surveillance is warranted that focuses on the emerging recombinant viruses among HFMD causative agents and investigations on the pathogenic role and disease associations of the recombinant CBVs.

This study was supported in part by the Major Special Program of National Science and Technology of China (no. 2009ZX10004-204), the National Natural Science Foundation of China (no. 81000721), and Beijing Natural Science Foundation (no. 7112108). C.F.Q. was supported by Beijing Nova Program of Science and Technology (no. 2010B041).

**Jian-Feng Han, Tao Jiang,
Xing-Liang Fan, Li-Ming Yang,
Man Yu, Rui-Yuan Cao,
Jun-Zhi Wang, E-De Qin,
and Cheng-Feng Qin**

Author affiliations: State Key Laboratory of Pathogen and Biosecurity, Beijing, People's Republic of China (J.-F. Han, T. Jiang, L.-M. Yang, M. Yu, R.-Y. Cao, E.-D. Qin, C.-F. Qin); Beijing Institute of Microbiology and Epidemiology, Beijing, People's Republic of China (J.-F. Han, T. Jiang, L.-M. Yang, M. Yu, R.-Y. Cao, E.-D. Qin, C.-F. Qin); and National Institutes for Food and Drug Control, Beijing (X.-L. Fan, J.-Z. Wang)

DOI: <http://dx.doi.org/10.3201/eid1802.111524>

References

1. Qiu J. Viral outbreak in China tests government efforts. *Nature*. 2009;458:554–5. <http://dx.doi.org/10.1038/458554a>
2. Solomon T, Lewthwaite P, Perera D, Cardoso MJ, McMinn P, Ooi MH. Virology, epidemiology, pathogenesis, and control of enterovirus 71. *Lancet Infect Dis*. 2010;10:778–90. [http://dx.doi.org/10.1016/S1473-3099\(10\)70194-8](http://dx.doi.org/10.1016/S1473-3099(10)70194-8)
3. Lindberg AM, Polacek C. Molecular analysis of the prototype coxsackievirus B5 genome. *Arch Virol*. 2000;145:205–21. <http://dx.doi.org/10.1007/s007050050019>

analysis (online Technical Appendix Figure 2) showed that CBV5/CC10/10 was most closely related to COXB5/Henan/2010 in the 5' half of the genome, and to CBV3 Beijing0811 in the 3' half of the genome. Both analyses showed that the small fragment within 2C domains are highly similar (>84%) to a CBV5 strain from South Korea, CBV5/2000/CSF/KOR. Genetic algorithms for recombination detection analysis also indicated that the putative breakpoints were located within the 2C domain. We found no recombinant evidence between CBV5 and other HEVs during the analysis. Together, these accordant results demonstrated that recombination has possibly occurred within the 2C domain, and these Changchun isolates are possibly progeny of intertypic and intratypic recombination of CBV strains circulating in China (COXB5/Henan/2010 and Beijing0811) and South Korea (2000/CSF/KOR).

HEVs can be divided into ≈ 100 serotypes, and intertypic or intratypic recombination among different viruses occurs frequently, which is information necessary for disease control and surveillance. In China, dozens of HEVs, including HEV71, CAV, CBV, and echoviruses, have been isolated from HFMD patients and identified as the pathogens causing HFMD (1,2,9,10). Recombination events among HEVs have been shown to play roles in HFMD outbreaks. A recombinant HEV71 with CAV16 was suggested to be responsible for the HFMD outbreak in Fuyang, China, in 2008 (9). Recombination also occurred among the CAV (types 2, 4, 5, and 10) isolates during a HFMD outbreak in China during 2009 (10). However, most recombinant studies have focused on CAV and poliovirus. Recently, Oberste et al. (6) proposed the possible role of recombination within CBV strains based on

4. Wang HY, Li Y, Xu AQ, Zhang Y, Tao ZX, Liu GF, et al. Identification and phylogenetic analysis of Coxsackie-virus B5 during an outbreak of aseptic meningitis in Shandong [in Chinese]. *Zhonghua Liu Xing Bing Xue Za Zhi*. 2010;31:64–8.
5. Lukashev AN. Role of recombination in evolution of enteroviruses. *Rev Med Virol*. 2005;15:157–67. <http://dx.doi.org/10.1002/rmv.457>
6. Oberste MS, Penaranda S, Pallansch MA. RNA recombination plays a major role in genomic change during circulation of coxsackie B viruses. *J Virol*. 2004;78:2948–55. <http://dx.doi.org/10.1128/JVI.78.6.2948-2955.2004>
7. Simmonds P, Welch J. Frequency and dynamics of recombination within different species of human enteroviruses. *J Virol*. 2006;80:483–93. <http://dx.doi.org/10.1128/JVI.80.1.483-493.2006>
8. Zhao K, Han X, Wang G, Hu W, Zhang W, Yu XF. Circulating coxsackievirus A16 identified as recombinant type A human enterovirus, China. *Emerg Infect Dis*. 2011;17:1537–40.
9. Zhang Y, Zhu Z, Yang W, Ren J, Tan X, Wang Y, et al. An emerging recombinant human enterovirus 71 responsible for the 2008 outbreak of hand foot and mouth disease in Fuyang city of China. *Virol J*. 2010;7:94. <http://dx.doi.org/10.1186/1743-422X-7-94>
10. Hu YF, Yang F, Du J, Dong J, Zhang T, Wu ZQ, et al. Complete genome analysis of coxsackievirus A2, A4, A5, and A10 strains isolated from hand, foot, and mouth disease patients in China revealing frequent recombination of human enterovirus A. *J Clin Microbiol*. 2011;49:2426–34. <http://dx.doi.org/10.1128/JCM.00007-11>

Address for correspondence: Cheng-Feng Qin, Department of Virology, State Key Laboratory of Pathogen and Biosecurity, Beijing Institute of Microbiology and Epidemiology, Beijing 100071, People's Republic of China; email: qincf@bmi.ac.cn



Nontuberculous Mycobacteria in Tap Water

To the Editor: A recently published study by Falkinham (1) showed that 17 (46%) of 37 households were contaminated with nontuberculous mycobacteria (NTM) of the same species as those found in patients with lung disease and that 7 (41%) of 17 had the same DNA fingerprint as the patient. One patient's isolate from sputum matched the isolate found in the shower water. Therefore, the patient's lung disease was likely acquired by inhalation of aerosols while showering. An isolate from another patient matched the isolate found in tap water. If the patient drank the contaminated water, *Mycobacterium avium* may have reached the lungs by aspiration because 26% of patients with NTM lung disease have been found to experience gastroesophageal reflux disease (GERD) (2). Even if none of these scenarios was present, however, NTM patient contamination of samples is still likely. Six of the 7 matching households had water heater temperatures $\leq 125^{\circ}\text{C}$, indicating a negative correlation between NTM growth and temperature. Most *M. avium* and *M. intracellulare* are killed in < 5 seconds (3) when exposed to 70°C ; thus, all NTM species would likely be killed a few seconds after water reached the boiling point.

In a recent study, we have shown that Canadian-born persons from ethnic groups from eastern and Southeast Asia were less likely to be colonized with *M. avium* complex than were other ethnic groups (4). We hypothesized that boiling water before consumption, a common practice in persons from Asia, may have partially protected them against pulmonary colonization. Another protective factor is the low prevalence of GERD in persons from Asia ($< 7\%$) (5), compared with 19.8% in white persons

from Olmstead County, Minnesota, USA. Future studies like that of Falkinham are needed to determine routes of transmission. Factors to investigate in such studies include the ethnicity of participants and associated predisposing disorders, particularly GERD; culturing of gastric washings; handwashing frequency; and water consumption habits (whether drinking from the bottle, from the tap, or after boiling).

Eduardo Hernández-Garduño and Kevin Elwood

Author affiliations: British Columbia Centre for Disease Control, Vancouver, British Columbia, Canada

DOI: <http://dx.doi.org/10.3201/eid1802.110455>

References

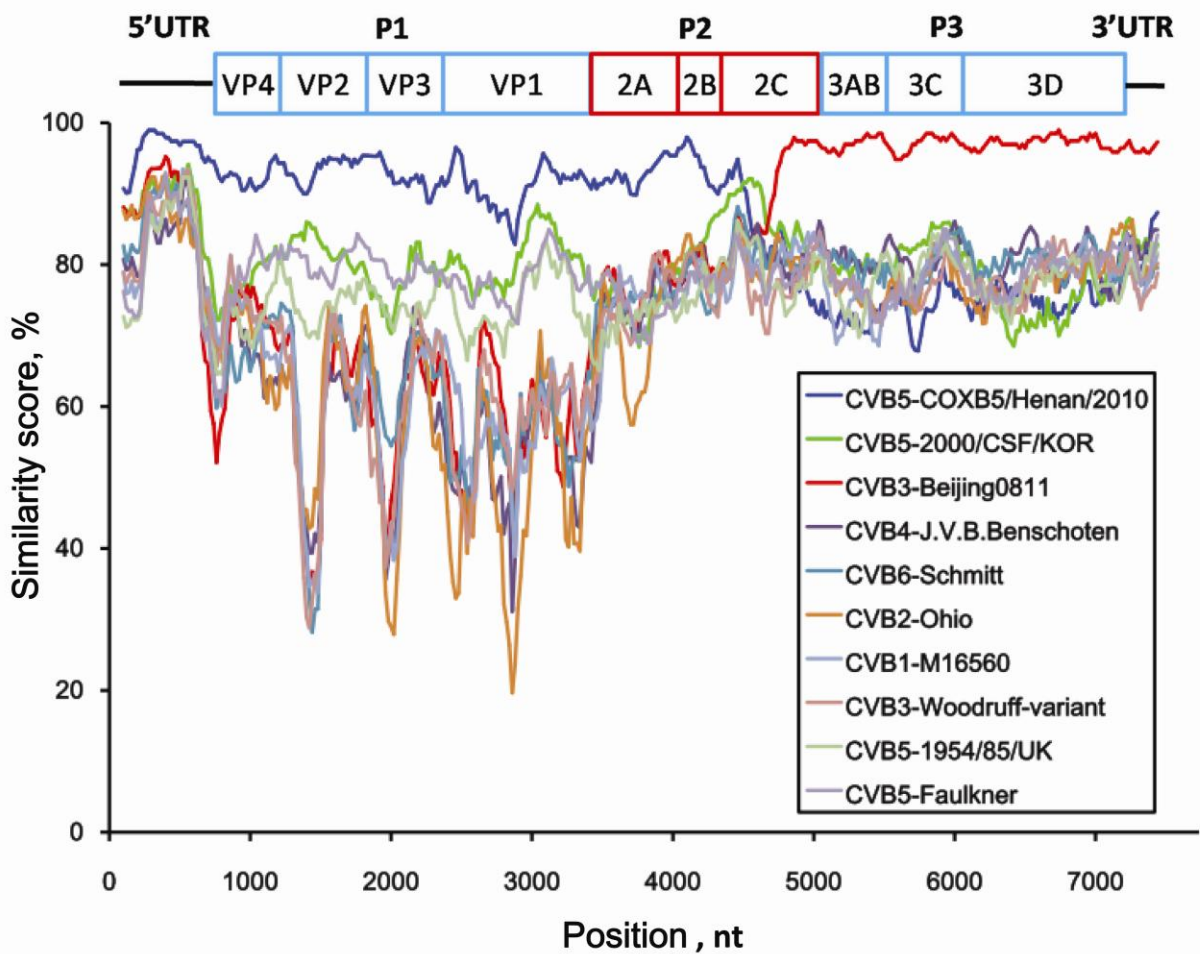
1. Falkinham JO III. Nontuberculous mycobacteria from household plumbing of patients with nontuberculous mycobacteria disease. *Emerg Infect Dis*. 2011;17:419–24.
2. Koh WJ, Lee JH, Kwon YS. Prevalence of gastroesophageal reflux disease in patients with nontuberculous mycobacterial disease. *Chest*. 2007;131:1825–30. <http://dx.doi.org/10.1378/chest.06-2280>
3. Schulze-Röbbbecke R, Buchholtz K. Heat susceptibility of aquatic mycobacteria. *Appl Environ Microbiol*. 1992;58:1869–73.
4. Hernández-Garduño E, Elwood RK. Demographic risk factors of pulmonary colonization by non-tuberculous mycobacteria. *Int J Tuberc Lung Dis*. 2010;14:106–12.
5. Wong BC, Kinoshita Y. Systematic review on epidemiology of gastroesophageal reflux disease in Asia. *Clin Gastroenterol Hepatol*. 2006;4:398–407. <http://dx.doi.org/10.1016/j.cgh.2005.10.011>

Address for correspondence: Eduardo Hernández-Garduño, British Columbia Centre for Disease Control, TB Control, 1063-655 W 12th Ave, Vancouver, British Columbia V5Z 4R4, Canada; email: investigador.tuberculosis@gmail.com

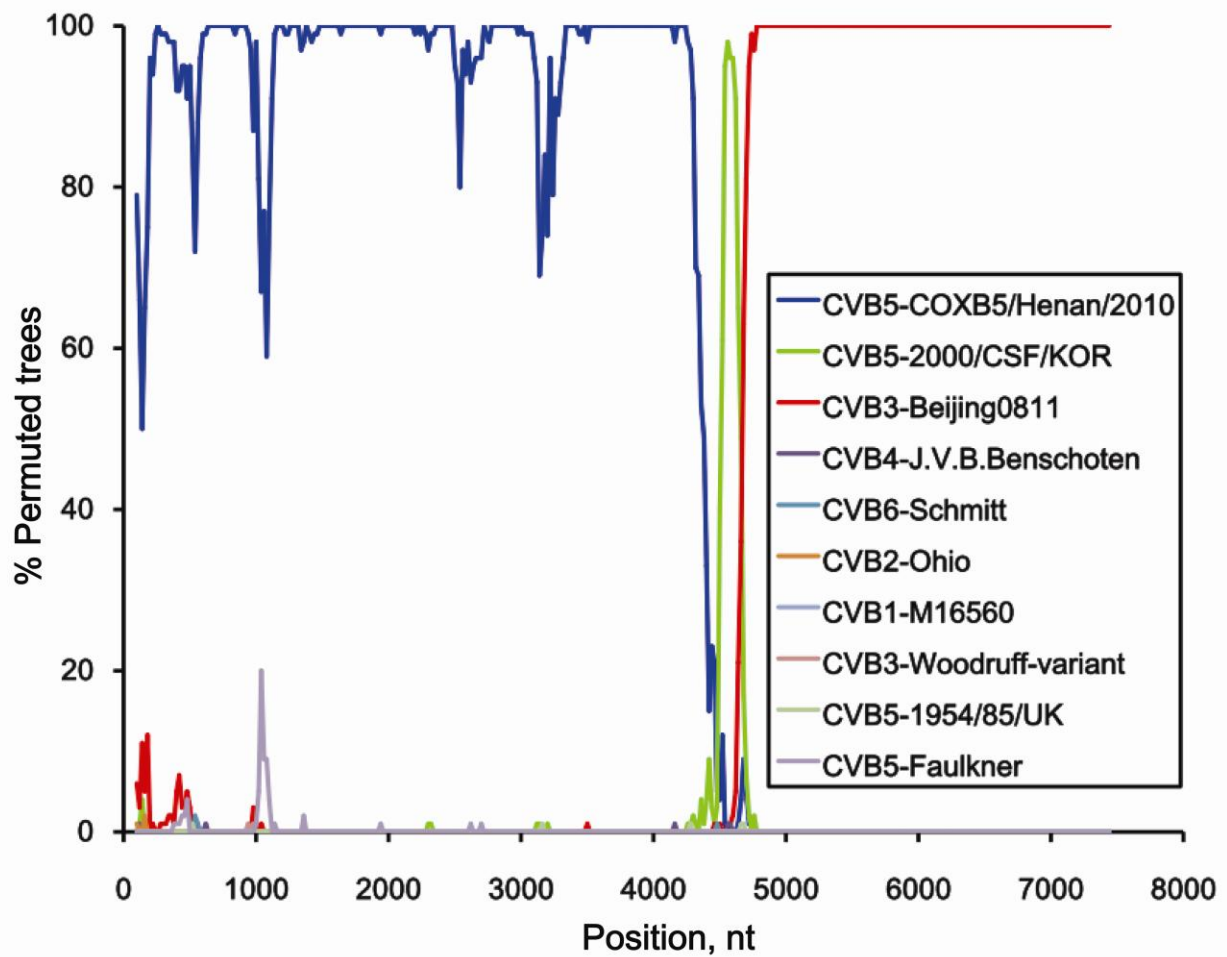
Use of trade names is for identification only and does not imply endorsement by the Public Health Service or by the US Department of Health and Human Services.

Recombination of Human Coxsackievirus B5 in Hand, Foot, and Mouth Disease Patients, China

Technical Appendix



Technical Appendix Figure 1. Similarity scanning analysis of coxsackievirus B (CBV) strain CBV5/CC10/10 with other CBV strains and representative enterovirus strains on the basis of full-length genome sequences.



Technical Appendix Figure 2. Full-length bootscanning analysis of coxsackievirus B (CBV) strain CBV5/CC10/10 with CBV3-Beijing0811, CBV5-2000/CSF/KOR, and CBV5-COXB5/Henan/2010. Bootscanning was performed with a window size of 200 nt and step of 20 nt.